



ultrashelter™

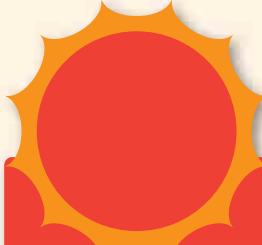
By **ultra**site®

COMFORTABLE SPACES
FOR COMMUNITY PLACES



UltraSite® offers UltraShelter, a full spectrum of shelter designs that create community spaces while helping protect patrons from many of nature's elements. As an AISC certified facility, UltraSite is committed to providing the highest quality standards for your shelter project. With options from both standard shapes and custom structures to more decorative architectural designs, an UltraSite sales representative will guide you through a simplified process of providing a unique shelter that protects your recreation investment and your community.

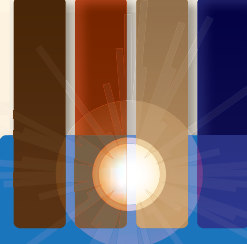
SOME LONG TERM BENEFITS OF ULTRASHELTER STRUCTURES INCLUDE:

**BLOCKS
99%
OF HARMFUL
UV RAYS**



**CORROSION RESISTANT,
POWDER-COAT
TUBING**



**75%
COLOR RETENTION
NO CHALKING**



**MULTIPLE
ROOFING OPTIONS
AVAILABLE**

28' 2-TIER OCTAGON WITH CUPOLA

Traffic White UltraRound Columns with Diamond Lattice & Handrails with Regal Blue Standing Seam Roof, 6:12 pitch (Optional Tongue & Groove sub-roof upgrade).



10' X 52' GABLE RECTANGULAR (See page 6)

Traffic White Square Columns & Roman Blue Standing Seam Roof, 6:12 pitch (Optional Tongue & Groove sub-roof upgrade).



SQUARE
SHELTER

12' SQUARE SHELTER

Beige Square Columns and Regal White Multi Rib Roof, 6:12 pitch



24' SQUARE SHELTER

Brown Gray Columns and Regal Blue Standing Seam Roof, 6:12 pitch

18' SQUARE SHELTER

Custom Block Columns with Colonial Red Multi Rib Roof, 6:12 pitch (Custom block column base wrap not included with purchase. Provided by others).



SQUARE & 2-TIER SQUARE SHELTER

Custom sizes and configurations are available. Please see pages 14-15 for style and color options.

Roof Style	Standard Sizes	Columns	Rail/Lattice Options	Roof Options
SQUARE	12', 20', 30', 40'	Square, Round, UltraSquare, UltraRound	Standard, Diamond, Circle	Standing Seam, Max Rib*, Multi Rib, Shingle*
2-TIER SQUARE	12', 20', 30', 40'	Square, Round, UltraSquare, UltraRound	Standard, Diamond, Circle	Standing Seam, Max Rib*, Multi Rib, Shingle*



SQUARE



2-TIER SQUARE

* Standard with wood tongue and groove sub-roof



24' SQUARE SHELTER

Beige Square Columns & Hartford Green Multi Rib Roof, 6:12 pitch



24' SQUARE SHELTER

Traffic White Square Columns & Roman Blue Max Rib Roof, 6:12 pitch (Tongue & Groove sub-roof shown). (Stone column base wrap not included with purchase. Provided by others).



2-TIER GABLE RECTANGULAR



GABLE RECTANGULAR

**GABLE RECTANGULAR &
2-TIER GABLE RECTANGULAR**

Custom sizes and configurations are available.
Please see pages 14-15 for style and color options.

Roof Style	Standard Sizes	Columns	Rail/Lattice Options	Roof Options
GABLE RECTANGULAR	16' x 20' 20' x 24' 20' x 30'	Square, Round, UltraSquare, UltraRound	Standard, Diamond, Circle	Standing Seam, Max Rib*, Multi Rib, Shingle*
2-TIER GABLE RECTANGULAR	16' x 20' 20' x 24' 20' x 30'	Square, Round, UltraSquare, UltraRound	Standard, Diamond, Circle	Standing Seam, Max Rib*, Multi Rib, Shingle*

* Standard with wood tongue and groove sub-roof

**GABLE
RECTANGULAR**



Standard Square Columns

8' X 8' MINI GABLE
with Double-Sided Message Board,
Jet Black Square Columns,
Patina Green Multi Rib Roof, 4:12 pitch





16' X 54' HIP RECTANGULAR SHELTER
 Shown with Beige Columns & Roman Blue Multi Rib Roof, 4:12 pitch

HIP
 RECTANGULAR

HIP RECTANGULAR



Custom sizes and configurations are available. Please see pages 14-15 for style and color options.

Roof Style	Standard Sizes	Columns	Rail/Lattice Options	Roof Options
HIP RECTANGULAR	16' x 20' 20' x 24' 20' x 30'	Square, Round, UltraSquare, UltraRound	Standard, Diamond, Circle	Standing Seam, Max Rib*, Multi Rib, Shingle*

* Standard with wood tongue and groove sub-roof



Tongue and Groove Sub-roof Detail



30' X 44' HIP RECTANGULAR SHELTER
 Terra Brown Columns & Hartford Green Multi Rib Roof, 4:12 pitch



20' X 24' HIP RECTANGULAR SHELTER
 Shown with Square Columns & Timberland Blend Shingle Roof, 4:12 pitch (Tongue & Groove sub-roof shown).



25' HEXAGON SHELTER

Jet Black Square Columns & Evergreen Standing Seam Roof, 6:12 pitch
(Optional Tongue & Groove sub-roof upgrade)

HEXAGON
SHELTER

24' 2-TIER HEXAGON SHELTER

Terra Brown Square Columns & Hartford Green Multi Rib Roof, 6:12 pitch





16' HEXAGON SHELTER

Brown Gray Square Columns & Regal Blue Standing Seam Roof, 6:12 pitch



HEXAGON

2-TIER HEXAGON

HEXAGON & 2-TIER HEXAGON

Custom sizes and configurations are available. Please see pages 14-15 for style and color options.

Roof Style	Standard Sizes	Columns	Rail/Lattice Options	Roof Options
HEXAGON	16', 18', 20', 32', 40'	Square, Round, UltraSquare, UltraRound	Standard, Diamond, Circle	Standing Seam, Max Rib*, Multi Rib, Shingle*
2-TIER HEXAGON	16', 18', 20', 32', 40'	Square, Round, UltraSquare, UltraRound	Standard, Diamond, Circle	Standing Seam, Max Rib*, Multi Rib, Shingle*

* Standard with wood tongue and groove sub-roof



20' HEXAGON SHELTER

Beige Square Columns & Hartford Green Multi Rib Roof, 6:12 pitch



OCTAGON
SHELTER

28' 2-TIER OCTAGON WITH CUPOLA

Traffic White UltraRound Columns with Diamond Lattice & Handrails with Evergreen Standing Seam Roof, 6:12 pitch (Optional Tongue & Groove sub-roof upgrade).





OCTAGON & 2-TIER OCTAGON

Custom sizes and configurations are available.
Please see pages 14-15 for style and color options.



OCTAGON



2-TIER OCTAGON

Roof Style	Standard Sizes	Columns	Rail/Lattice Options	Roof Options
OCTAGON	20', 32', 46'	Square, Round, UltraSquare, UltraRound	Standard, Diamond, Circle	Standing Seam, Max Rib*, Multi Rib, Shingle*
2-TIER OCTAGON	20', 32', 46'	Square, Round, UltraSquare, UltraRound	Standard, Diamond, Circle	Standing Seam, Max Rib*, Multi Rib, Shingle*

* Standard with wood tongue and groove sub-roof

20' OCTAGON SHELTER

Beige Square Columns & Medium Bronze Standing Seam Roof, 6:12 pitch





8' SQUARE SANOLET
Brown Grey Square Columns, Regal Blue
Standing Seam Roof



14' X 30' CANTILEVER SHELTER
Jet Black Square Columns & Patina Green
Standing Seam Roof, 6:12 pitch

**CUSTOM
CONFIGURATIONS**
Please call for a quote.

CREATE A ONE-OF-A-KIND STRUCTURE

Custom sizes and configurations are available.
Please see pages 14-15 for style and color options.



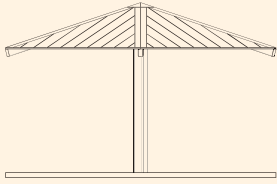
9' X 16' TRELLIS Brilliant Blue Square Posts



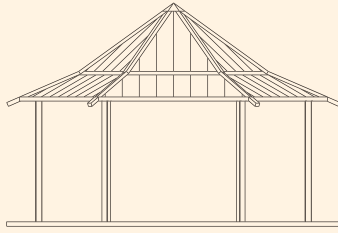
CUSTOM BUS SHELTER

CUSTOM CONFIGURATIONS

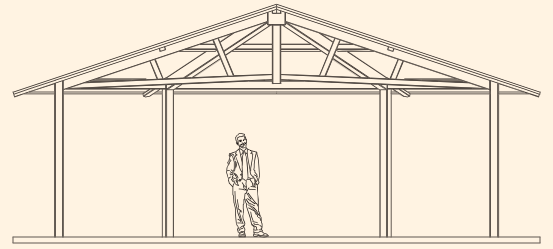
UltraSite's on-staff engineers can provide custom and conceptual shelter drawings, Signed and Sealed Engineering that includes calculation books and structural drawings, as well as delivering a shelter design that meets local building codes and requirements. Let us assist you with your custom shelter needs.



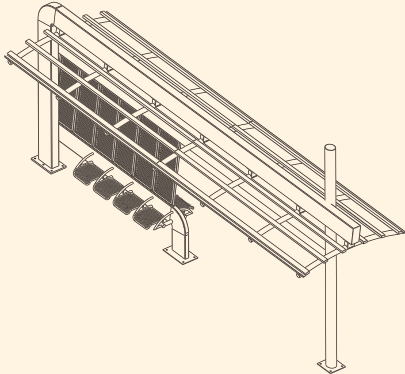
20' SINGLE POST HEXAGON UMBRELLA SHELTER



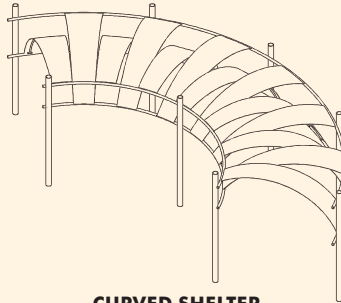
24' MULTI-PITCH HEXAGON SHELTER



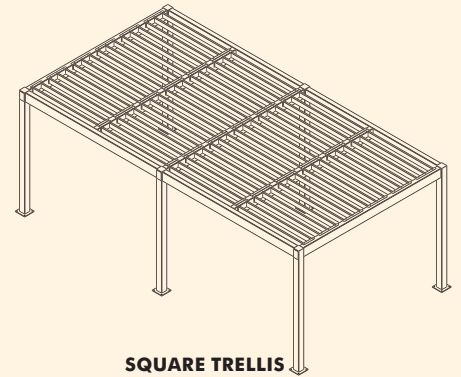
30' BAND SHELL



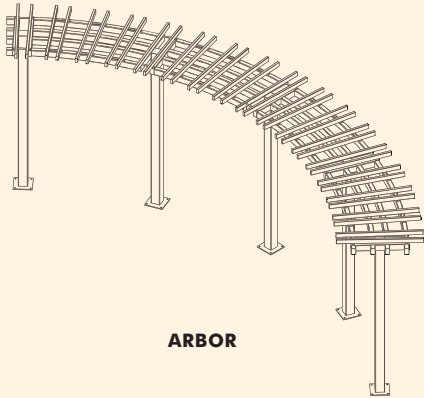
BUS TRANSIT SHELTER



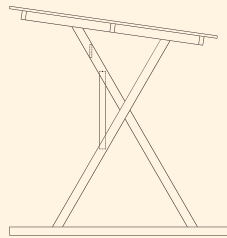
CURVED SHELTER



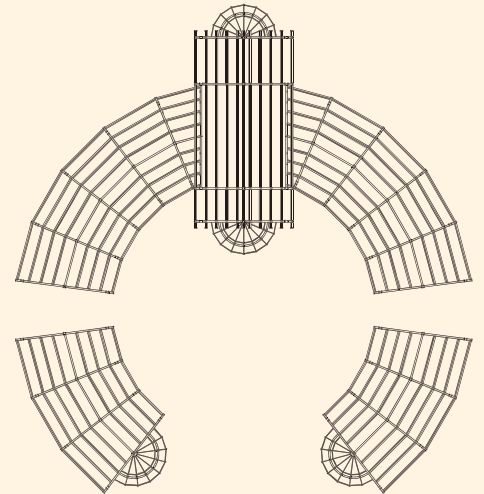
SQUARE TRELIS



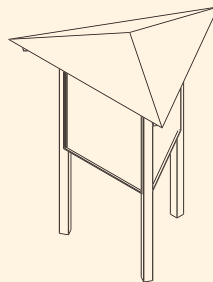
ARBOR



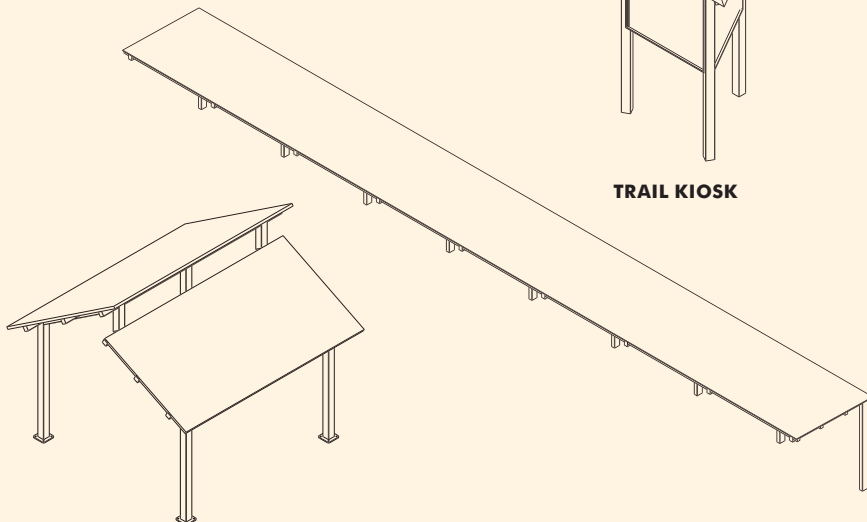
CROSSED COLUMN MESSAGE BOARD



PAVILION

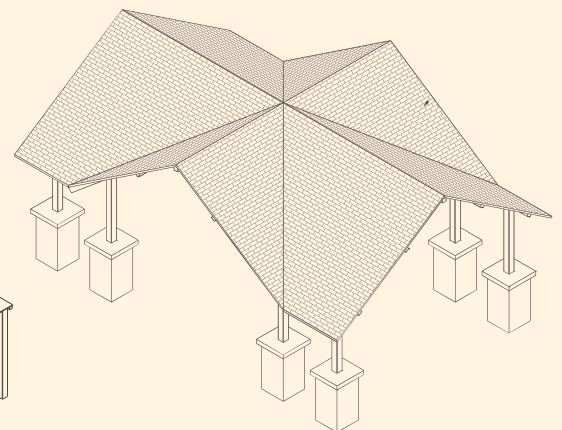


TRAIL KIOSK



SPLIT GABLE SHELTER

STRAIGHT WALKWAY



20' X 30' 4-PEAK GABLE SHELTER

CUSTOMIZABLE

OPTIONS *to create a one-of-a-kind structure*



Custom nature-themed Column

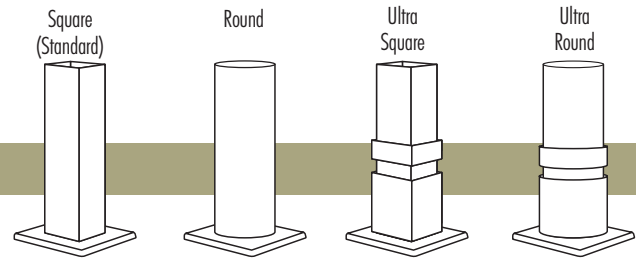


Custom Cupola added as a third tier



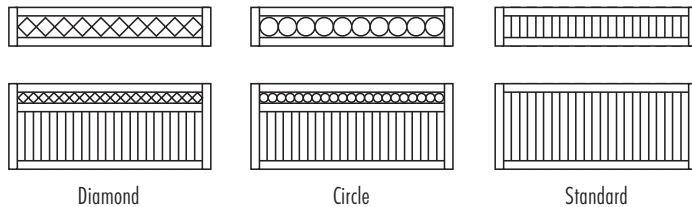
UltraShelter provides a quality product throughout all steps of the manufacturing process

COLUMN STYLES



LATTICE

OPTIONS *For upper-tier, overhead, and handrails*



Diamond

Circle

Standard



Post Cover Plate

SOLAR PANELS



Ideal solution for low voltage lighting



- Made of durable plastic and amorphous solar cells
- Completely weatherproof for added durability
- Works in all daylight conditions, even on cloudy days
- Maintenance-free and easy to install

ROOF OPTIONS



Multi Rib



Standing Seam



Max Rib



Timberland Blend Shingle



Note: Tongue & Groove wood sub-roof is standard for Max Rib and Shingle Roof options.

ROOF COLOR OPTIONS



Additional Cost for Premium Colors: Regal Blue, Copper Penny, Brandywine, Hartford Green, and Brite Red.

COLUMN COLOR OPTIONS



PRODUCT INFORMATION:

STRUCTURAL

Standard structure engineered to withstand wind gusts up to 90 mph and snow loads of 20 lbs. per square foot – All structures will be designed to meet local codes if they are above these standards:

- Steel tubing is fabricated from structural steel (minimum ASTM A500 Grade B)
- All plates are fabricated from A36 steel
- Welds are performed in accordance to American Welding Society standards by AWS certified welder
- Tubing is designed to discourage bird nesting locations

COATINGS

Coatings are tested to meet the following criteria:

- Humidity resistance to 3,000 hours with no loss of adhesion or blistering
- Color/UV resistance to 2,000 hours exposure, resulting in no chalking
- 75% color retention
- Maximum color variation 3.0 E based on CIE formula
- An optional E-Coat Base is available to further protect the finish

HARDWARE

- High-strength bolts, high-strength nuts, and anchor bolts comply with ASTM standards
- All fasteners are concealed inside tubing

METAL ROOFING

- Roofing panels are constructed and coated with Kynar 500® coating or Hylar 5000® coating systems
- Multiple roofing options are available including: Max Rib, Multi Rib, Standing Seam, and Shingle
- 2x6 #1 Southern Yellow Pine tongue and groove sub-roof available

LIMITED WARRANTY

UltraSite™ warrants that the shelter structure sold will be free from defects in materials under intended use for a period of 10 years from the date of delivery.



ultra site®

A PLAYCORE Company

1-800-455-8666 x 105

www.rivervalleyrecreation.com

